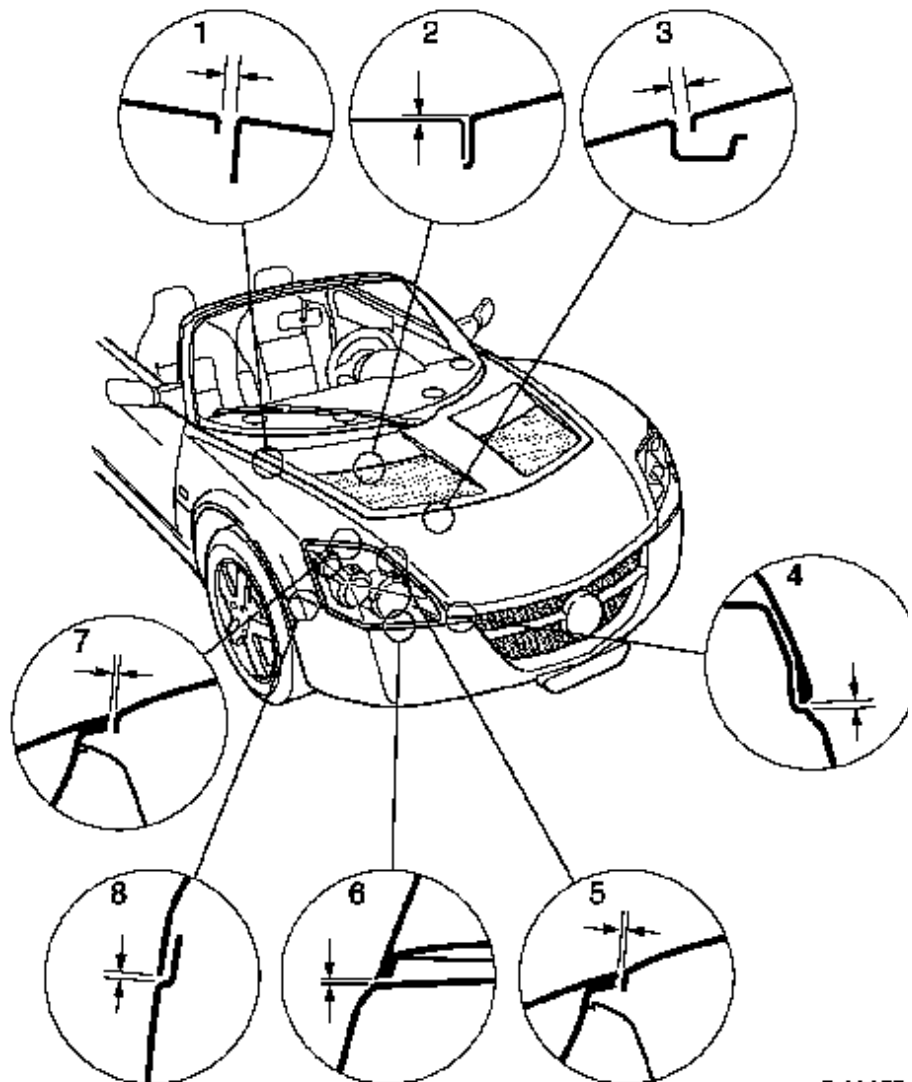


Body Panel Alignment Values (Z22 SE)

Alignment values for front panels

Position	Dimension (mm)	Tolerance
1	5	± 0.5
2	1	+1, -0
3	5	± 0.5
4	3	+1, -0
5	1	± 1
6	1	± 1
7	1	± 1
8	2	± 0.5

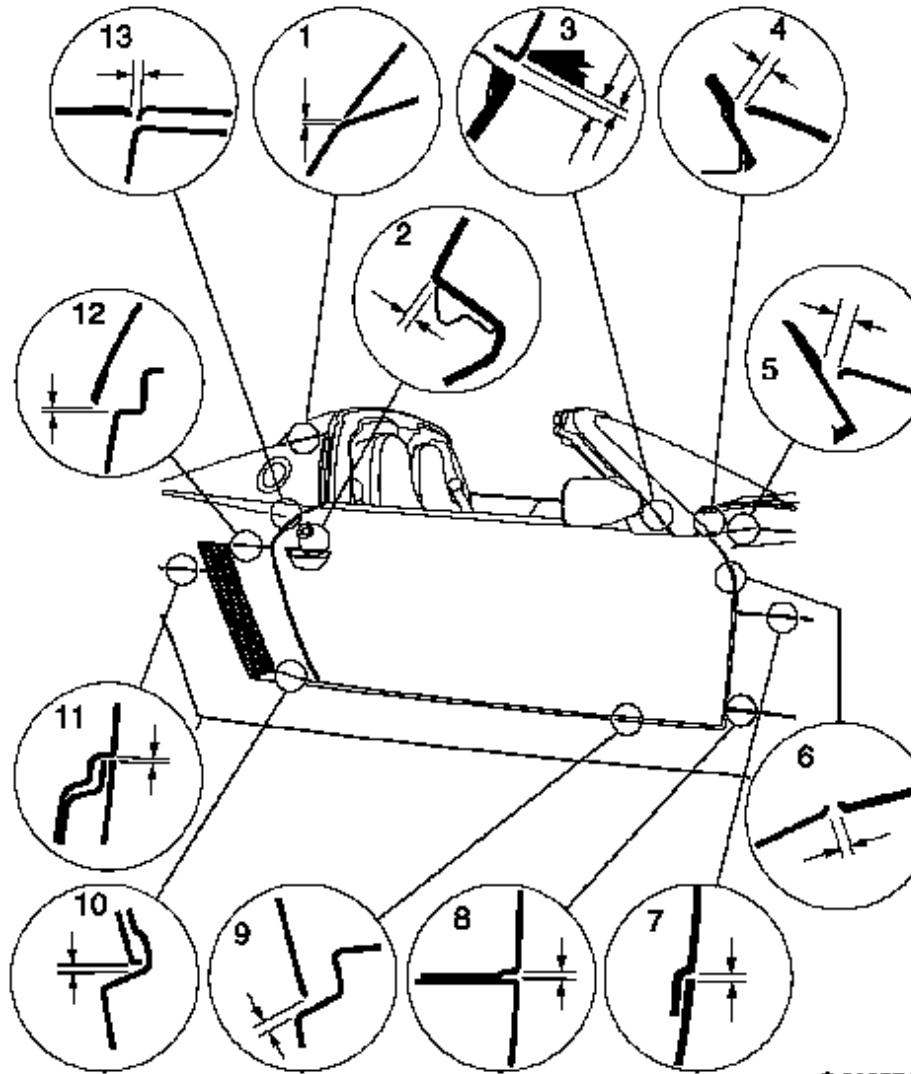


S 00057

Alignment values for side panels

Position	Dimension (mm)	Tolerance
1	1	± 0.5
2	3	± 1
3	4.5	± 0.5
4	4.5	± 0.5
5	4.5	± 0.5
6	5	+1, -0
7	2	± 1
8	2	± 0.5
9	4.5	± 0.5
10	2	+0, -1
11	2	± 1

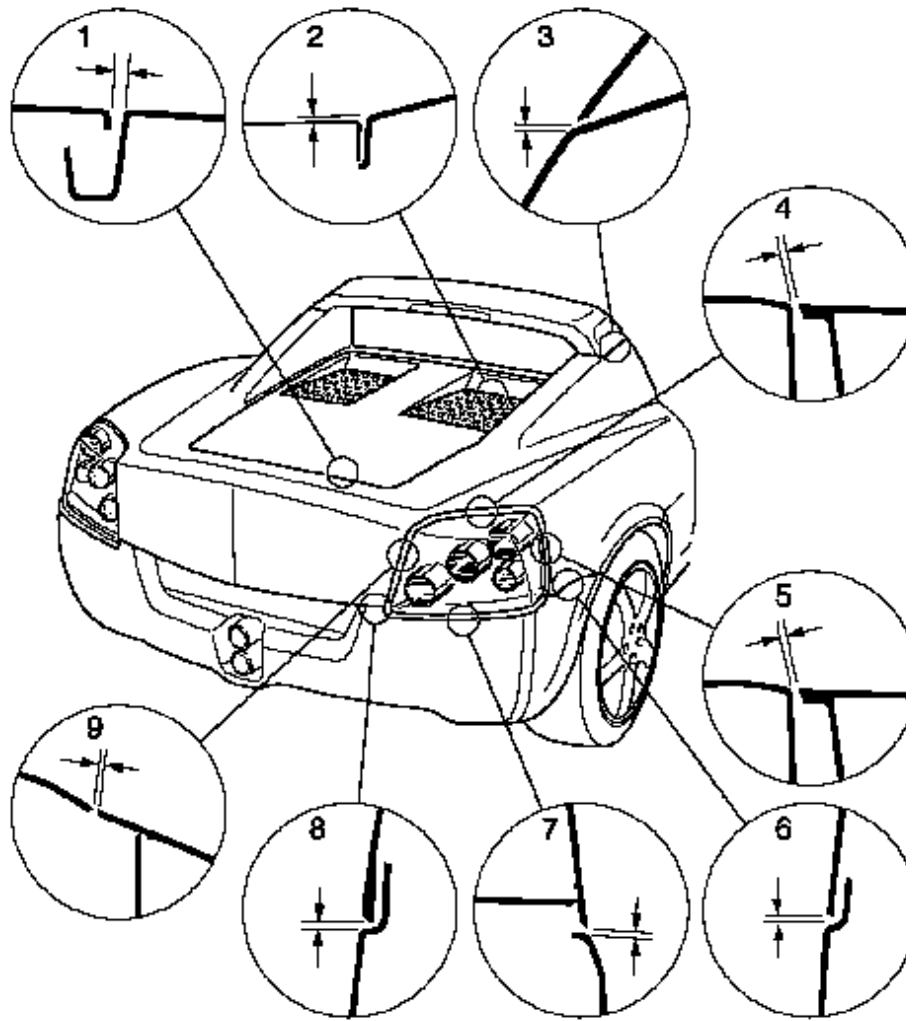
12	2	±1
13	3.5	±0.5



S 000574

Alignment values for rear panels

Position	Dimension (mm)	Tolerance
1	5	±0.5
2	1	+1, -0
3	1	±0.5
4	1	±1
5	1	±1
6	2	±1
7	1	±1
8	2	±1
9	1	±1



S 00057